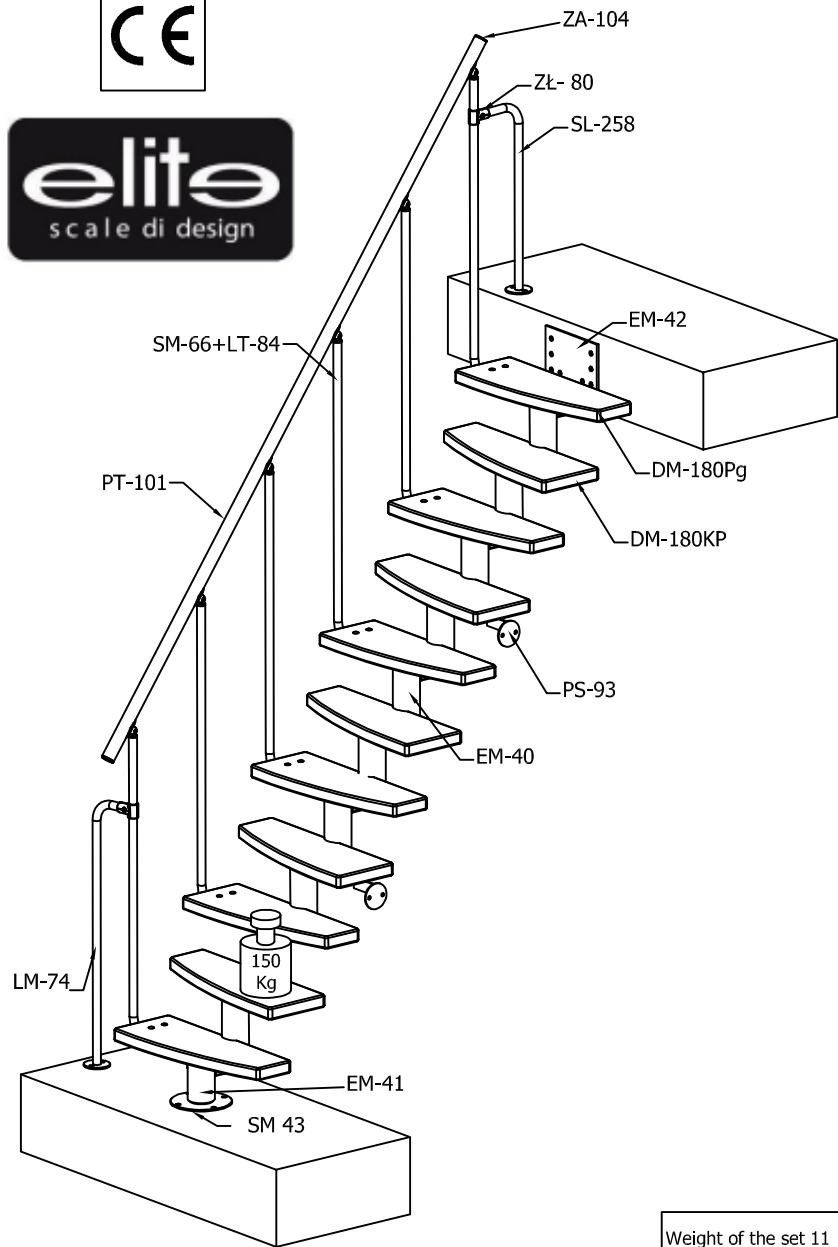
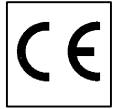


MINI SCALA LUX PLUS

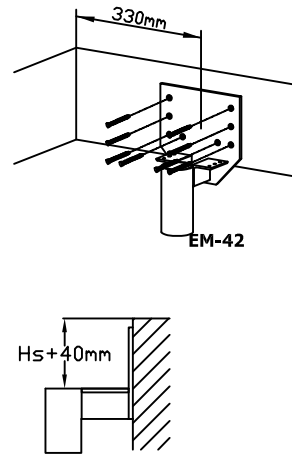


Weight of the set 11 ~90 kg

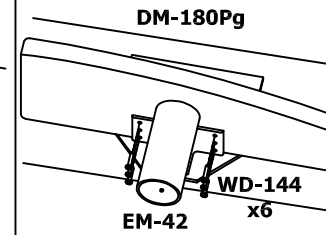
Weight of the set 13 ~104 kg

ver 09.14

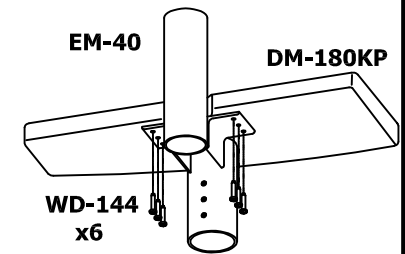
1.1



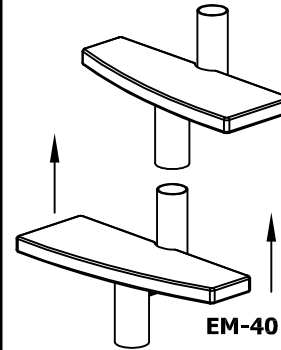
1.2



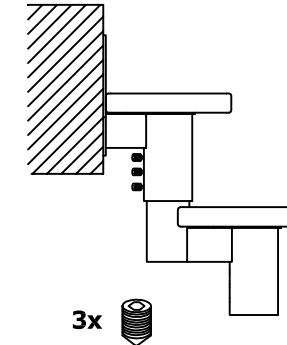
2.1



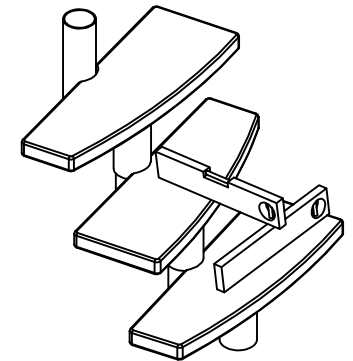
2.2



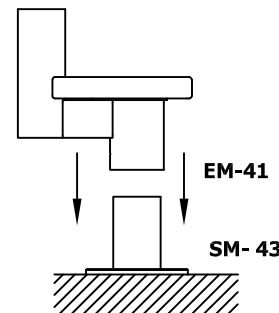
2.3



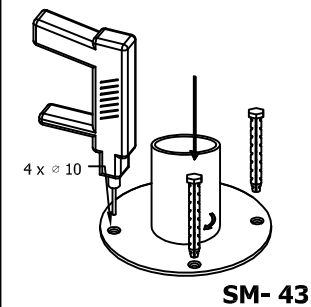
2.4



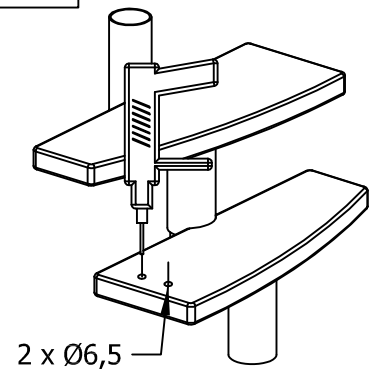
2.5

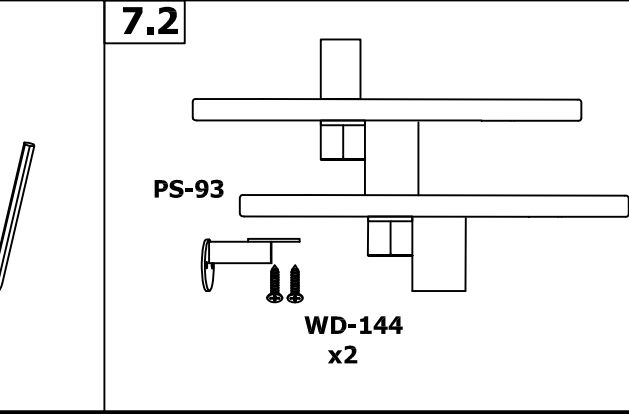
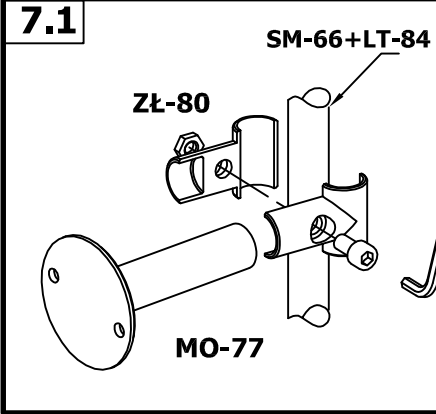
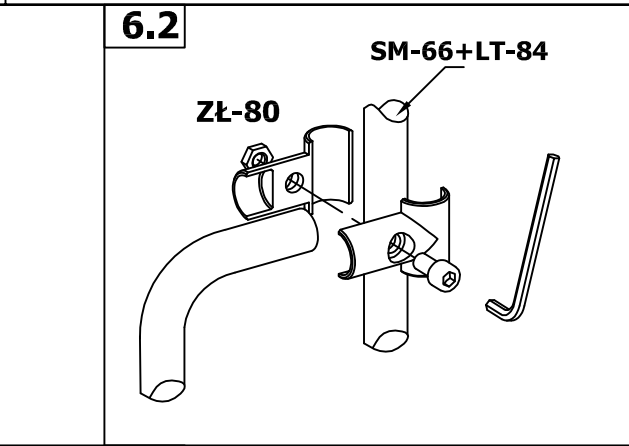
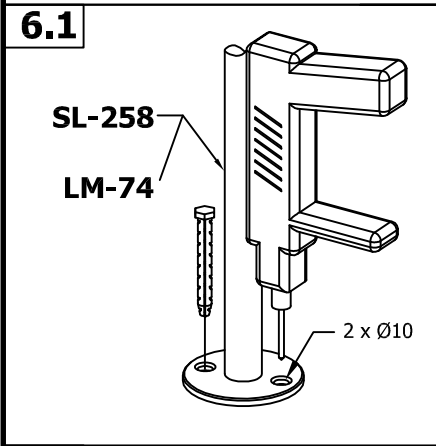
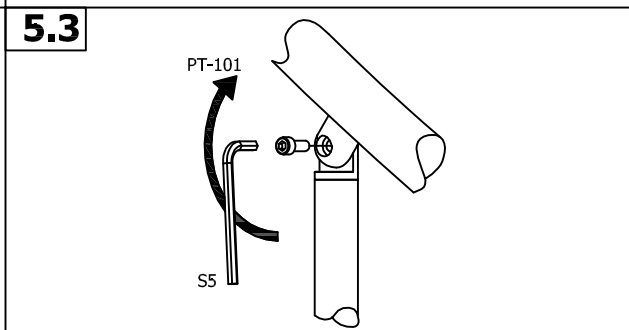
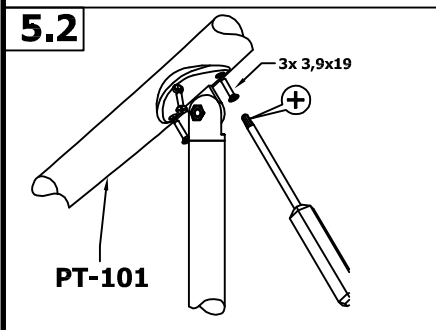
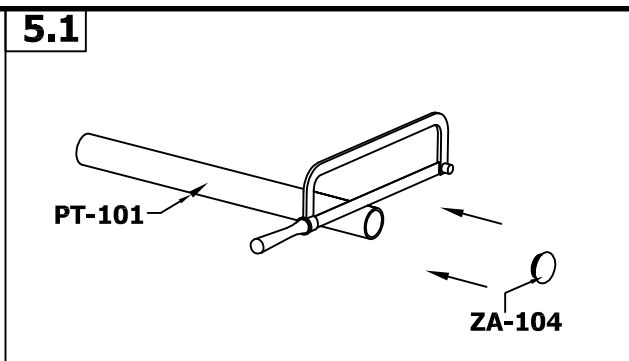
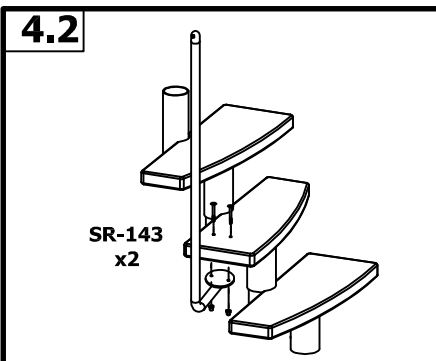


2.6



4.1





set **EM-42**
11 x1
13 x1

set **EM-40**
11 x9
13 x11

set **EM-41**
11 x1
13 x1

set **ZŁ-80**
11 x3
13 x3

set **DM-180Pg**
11 x1
13 x1

set **DM-180Kp**
11 x10
13 x12

set **SM-43**
11 x1
13 x1

set **LT-84**
11 x6
13 x7

set **M8x10**
11 x32
13 x38

set **M6x16**
11 x6
13 x7

set **3,9x19**
11 x19
13 x22

set **WD-144**
11 x71
13 x83

set **SR-143**
11 x12
13 x14

set **S4+S5+S6**
11 x1
13 x1

set **MO-77**
11 x1
13 x1

set **PS-93**
11 x2
13 x2

set **ZA-104**
11 x2
13 x2

set **PT-101**
11 x4
13 x4

set **LM-74**
11 x1
13 x1

set **SL-258**
11 x1
13 x1

set **SM-66**
11 x6
13 x7

ALSO NEEDED TO MONTAGE!

x22